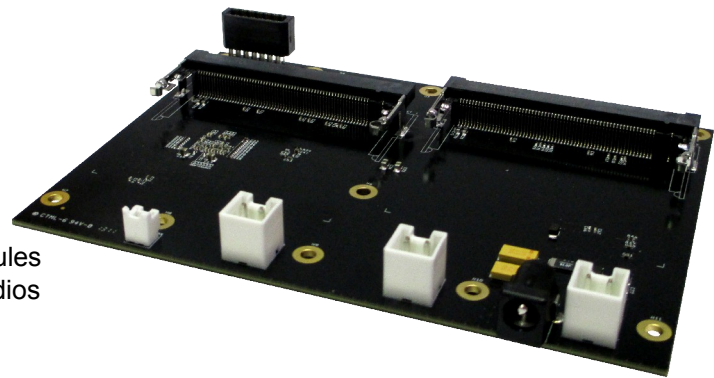


An expansion module for adding legacy Mini-PCI sockets to any Gateworks Ventana Network Processor

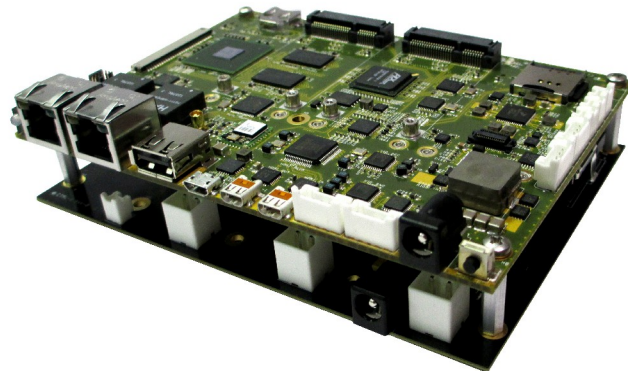
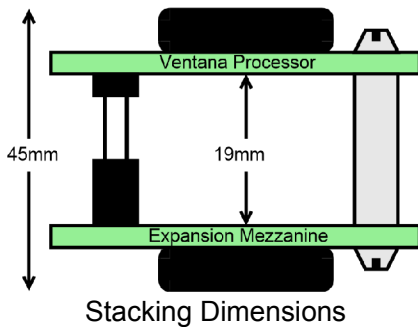
The GW16082 is an expansion module for the Gateworks 5th generation Ventana family of network processors. The expansion module adds four legacy Mini-PCI sockets to any Ventana network processor. All four sockets include both Legacy PCI and USB 2.0 signaling for GSM/CDMA modem support using the Gateworks GW16038 and GW16049 adapters. A highly efficient, wide-input power supply supports high-power Mini-PCI radios. Other members of the Ventana expansion module family are available with Mini-PCIe sockets, GbE Ethernet ports, and GbE Fiber Ethernet ports.

FEATURES

- ◆ Four Legacy Mini-PCI Sockets
All Support Both Legacy PCI and USB
- ◆ 32Kbit Serial Identification EEPROM
- ◆ Small 140x100mm Form Factor
- ◆ Generic Ventana Mounting Hole Pattern
- ◆ Mounting Standoffs and Screws Included
- ◆ Stacks with Other Ventana Expansion Modules
- ◆ Switching Supply Supports High-Power Radios
- ◆ Reverse Voltage and Transient Protection
- ◆ 8 to 60VDC Input Voltage Range
- ◆ 1W Typical Operating Power
- ◆ 30W Shared Between Mini-PCI Sockets
- ◆ -40°C to +85°C Operating Temperature
- ◆ 1 Year Warranty



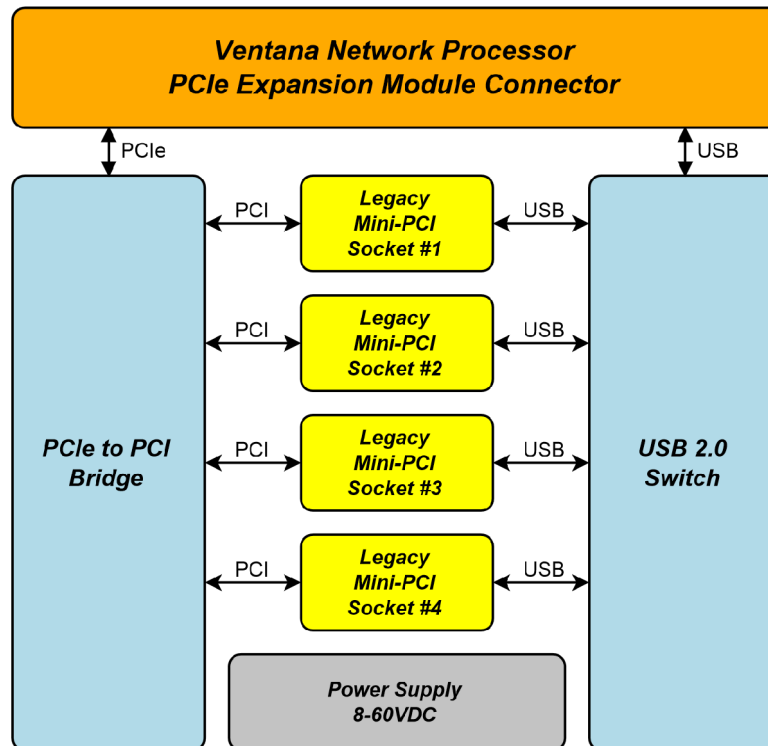
GW16082 Expansion Module



Expansion Module with Ventana GW5400

ADDITIONAL VENTANA EXPANSION MODULES

Order Number	Peripherals
GW16081	Seven Mini-PCIe Sockets
GW16083	Four GbE Ethernet Ports



Ventana GW16082 Block Diagram

SPECIFICATIONS

Electrical

Input Voltage

- ▼ 8 to 60VDC

Operating Current

- ▼ 0.04A Typical @ 24VDC

Mechanical

GW16082 Dimensions

- ▼ Top Side Height – 18.5mm (0.7in)
- ▼ Bottom Side Height – 5.5mm (0.2in)
- ▼ Overall Height – 25.6mm (1.0in)
- ▼ Length x Width – 140x100mm (5.5x3.9in)

Ventana Mated Dimensions

- ▼ Overall Height – 45.0mm (1.8in)
- ▼ Length x Width – 140x100mm (5.5x3.9in)

Weight

- ▼ 3 oz (85g)

Environmental

Operating Parameters

- ▼ Temperature: -40°C to +85°C
- ▼ Humidity (non-condensing): 20% to 90%
- ▼ MTBF: 95.2 Years at 55°C

Storage Parameters

- ▼ Temperature: -40°C to +85°C
- ▼ Humidity (non-condensing): 5% to 95%

ORDERING OPTIONS

Standard Configuration – GW16082

- ▼ Four Legacy Mini-PCI Sockets
- ▼ 35W Switching Power Supply

The GW16082 can be customized for volume applications. Contact the factory.

- ▼ Remove peripherals for cost savings